

4/2-directional valve, Series AP


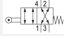
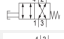
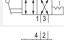
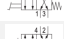
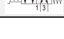
- Qn = 550 l/min
- Compressed air connection output G 1/4
- Pipe connection



Type	Poppet valve
Activation	Mechanical
Nominal flow Qn	550 l/min
Working pressure min./max.	0 ... 10 bar
Ambient temperature min./max.	-30 ... 80 °C
Medium temperature min./max.	-30 ... 80 °C
Medium	Compressed air
Max. particle size	5 µm
Oil content of compressed air	0 ... 5 mg/m ³
Weight	See table below

An example configuration is illustrated.
The delivered product may thus deviate from the illustration.

Technical data

Part No.		Actuating element	Compressed air connection type	Compressed air connection Input
0820401001		Plunger	Internal thread	G 1/4
0820401002		Roller	Internal thread	G 1/4
0820401004		Push button	Internal thread	G 1/4
0820401005		Lever	Internal thread	G 1/4
0820401006		Pedal	Internal thread	G 1/4
0820401008		Pedal, with detent	Internal thread	G 1/4

Part No.	Compressed air connection Output	Compressed air connection Exhaust	Material actuating control
0820401001	G 1/4	G 1/4	Steel
0820401002	G 1/4	G 1/4	Polyoxymethylene Steel
0820401004	G 1/4	G 1/4	Aluminum
0820401005	G 1/4	G 1/4	Steel Polyamide
0820401006	G 1/4	G 1/4	Aluminum
0820401008	G 1/4	G 1/4	Aluminum

Part No.	Weight	Fig.
0820401001	0,33 kg	Fig. 1
0820401002	0,5 kg	Fig. 2
0820401004	0,52 kg	Fig. 3
0820401005	0,53 kg	Fig. 4
0820401006	1,3 kg	Fig. 5
0820401008	1,42 kg	Fig. 6

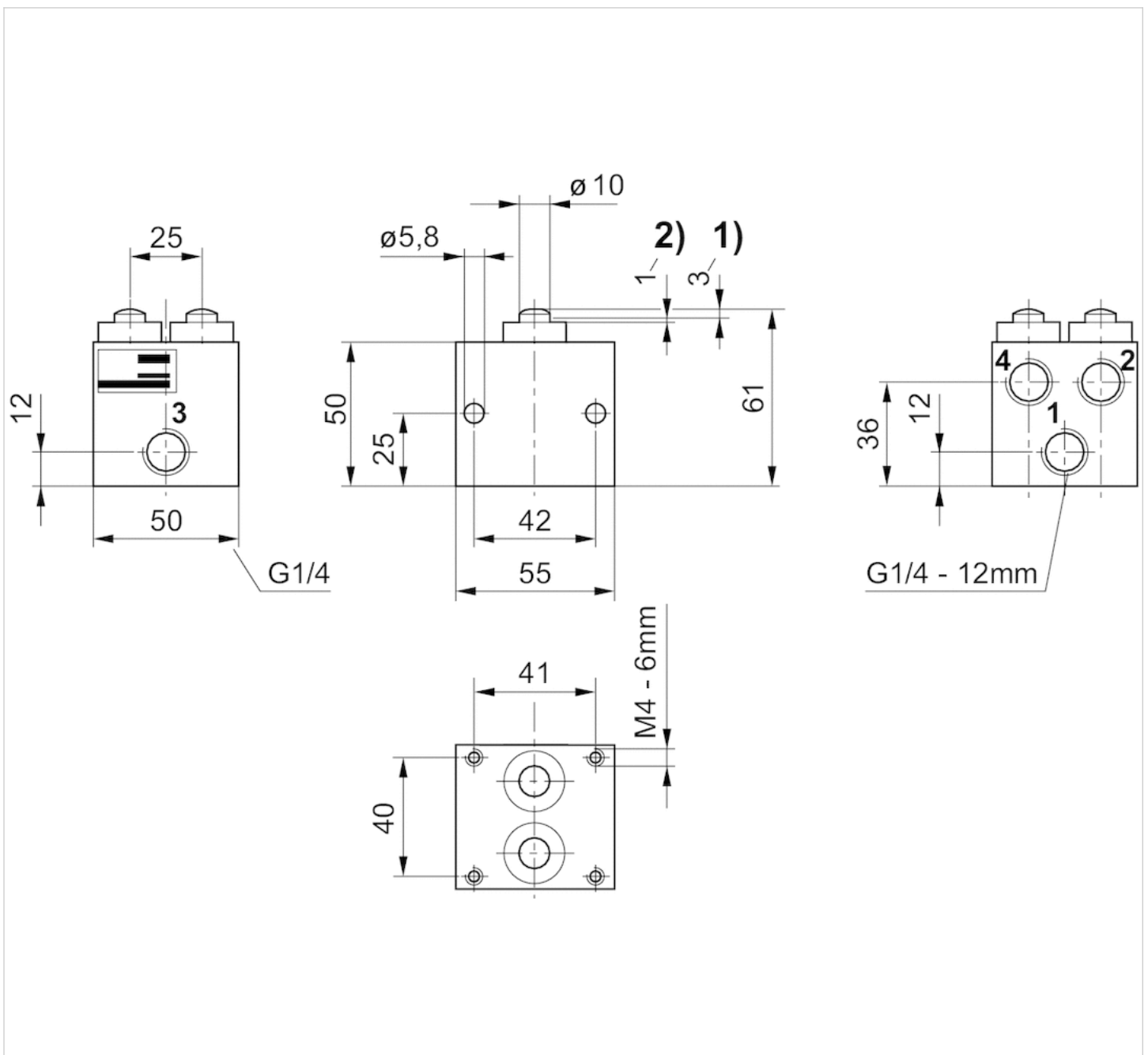
Nominal flow Qn at 6 bar and $\Delta p = 1$ bar

Technical information

Material	
Housing	Aluminum
Seals	Acrylonitrile butadiene rubber
Actuating element	Steel Polyoxymethylene, Steel Aluminum Steel, Polyamide

Dimensions

Dimensions, Fig. 1

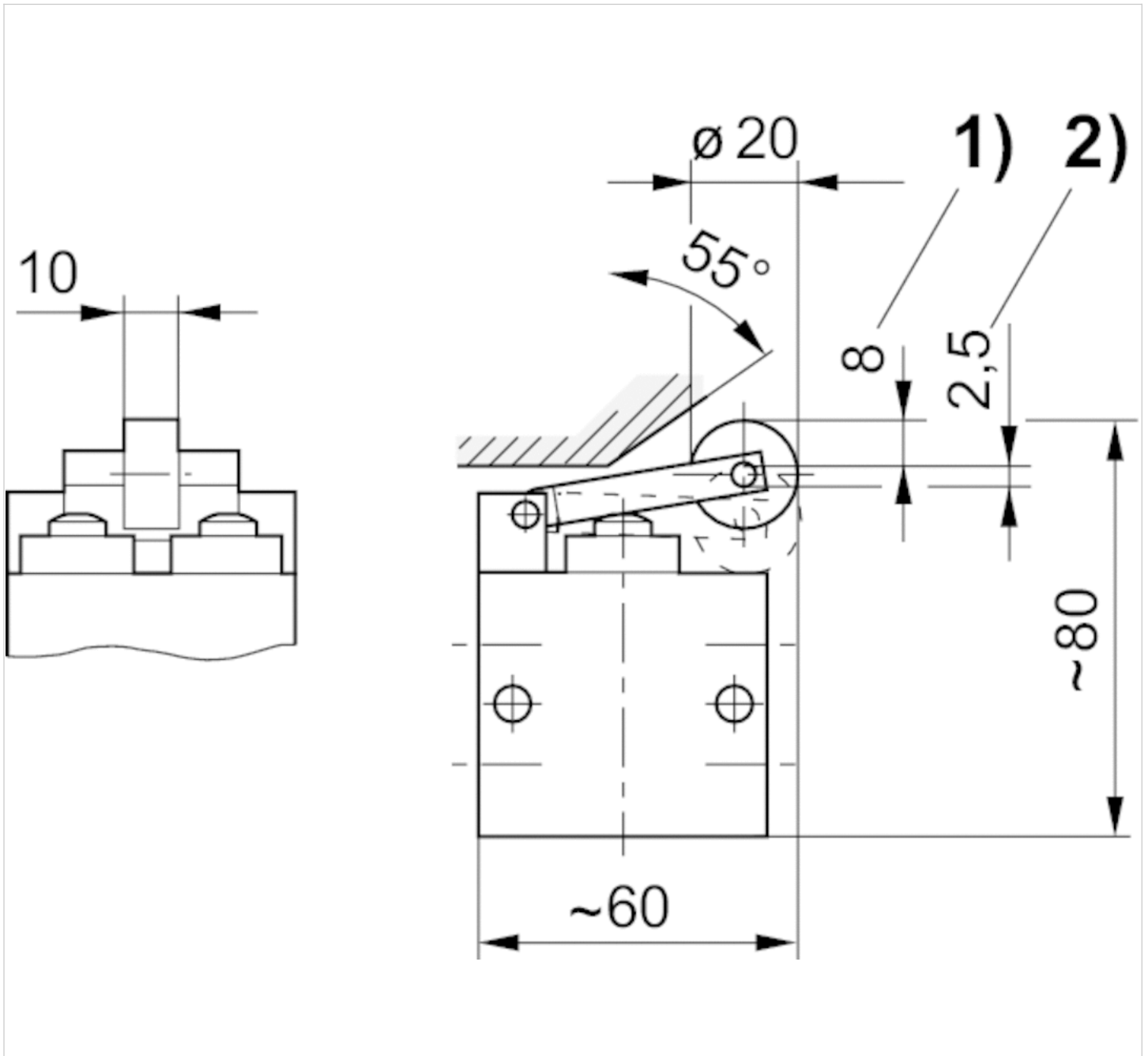


1) actuating stroke

2) overstroke

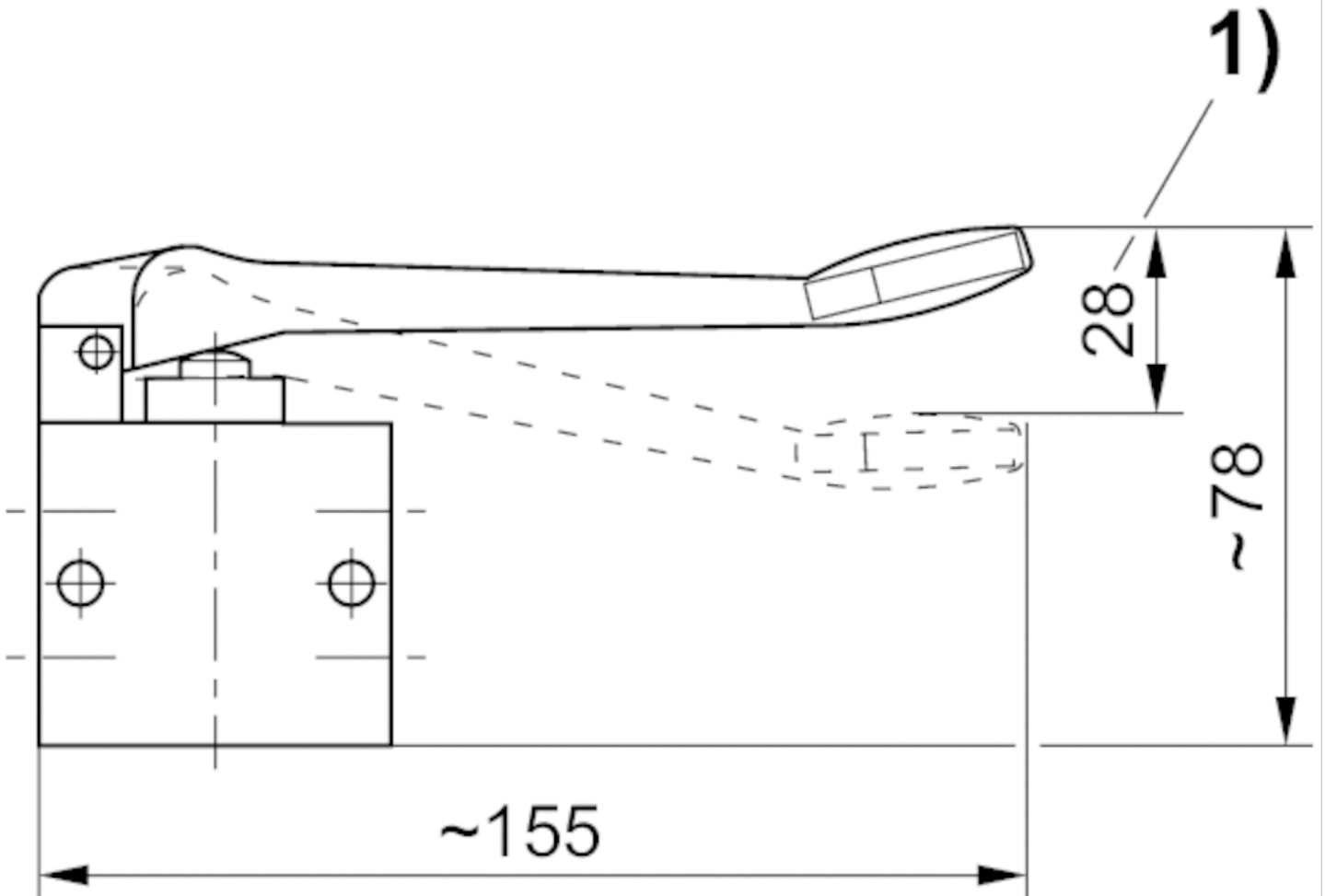
Dimensions of basic valve apply to all types of actuation.

Dimensions, Fig. 2



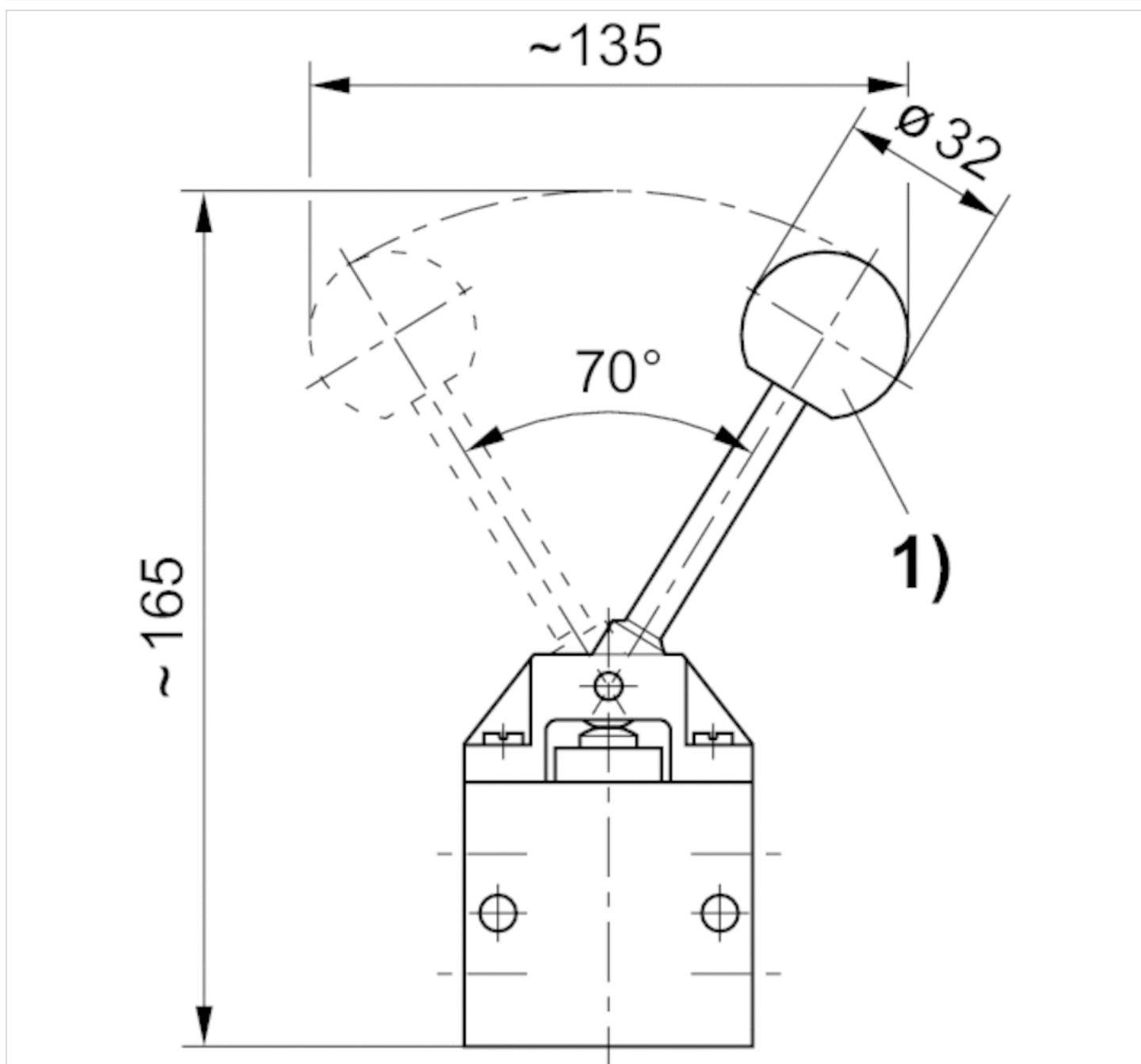
- 1) actuating stroke
- 2) overstroke

Dimensions, Fig. 3



1) actuating stroke

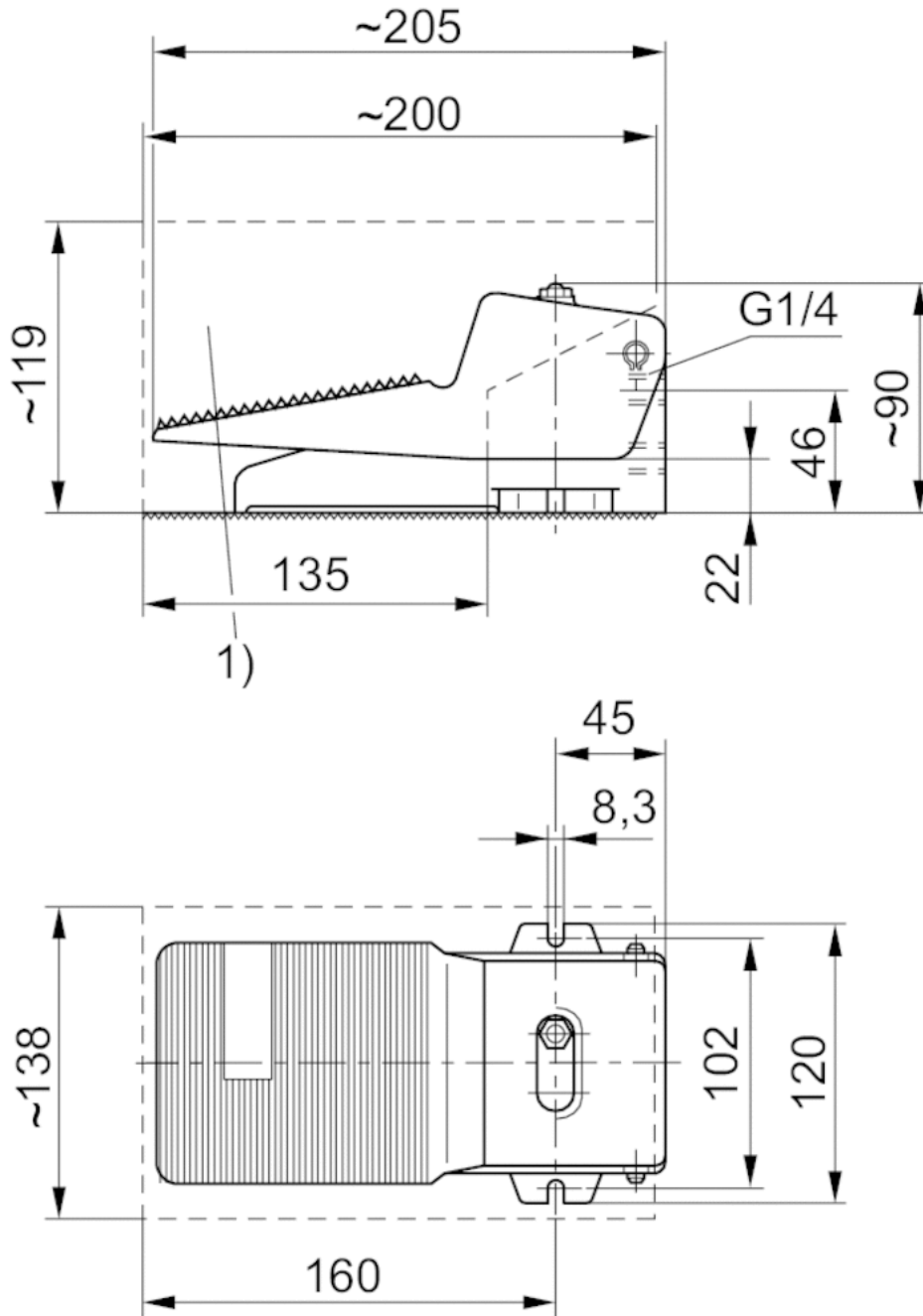
Dimensions, Fig. 4



actuating torque: 40 Ncm

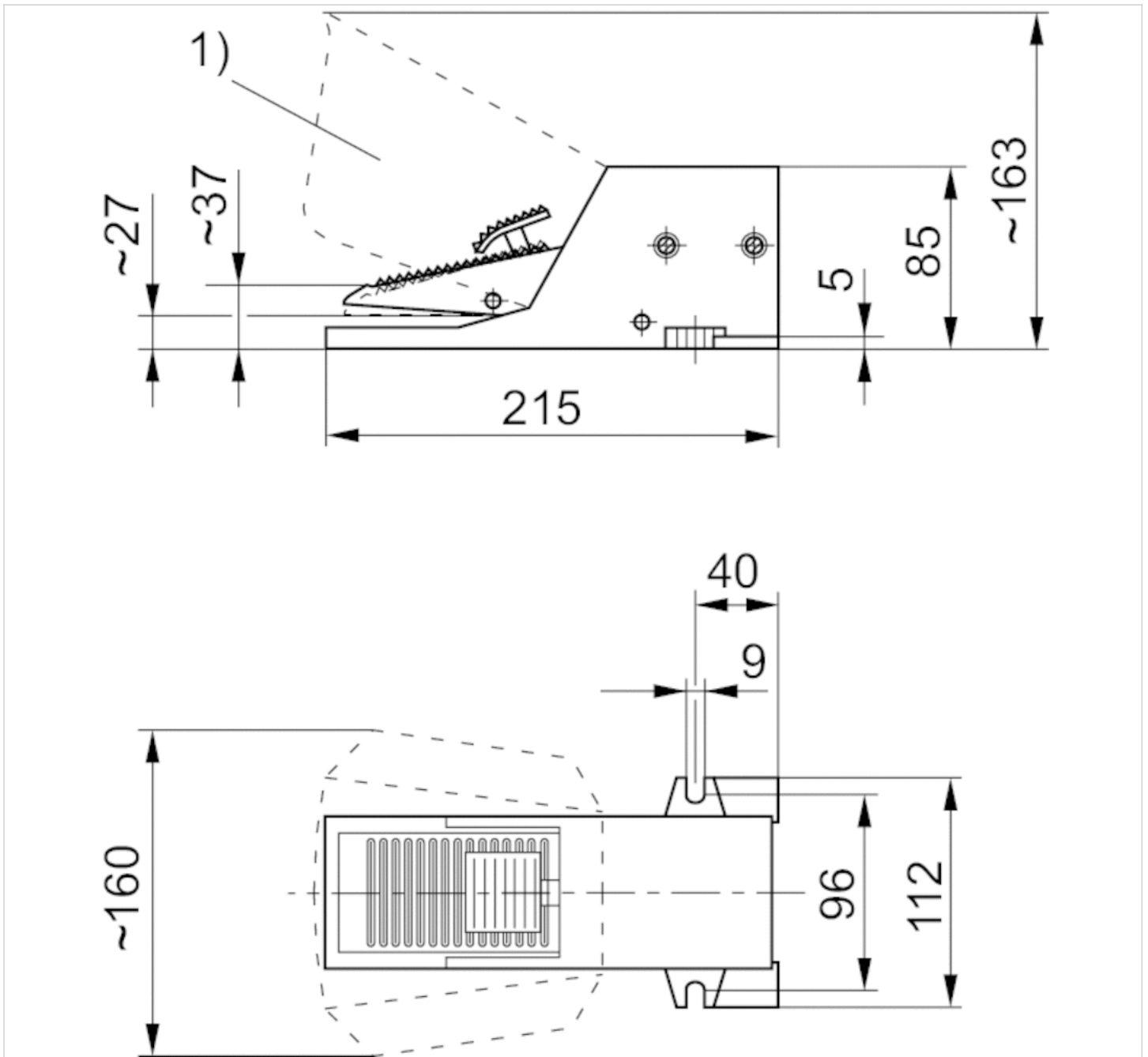
1) Ball

Dimensions, Fig. 5



1) optional protective cover, part number 1828104001

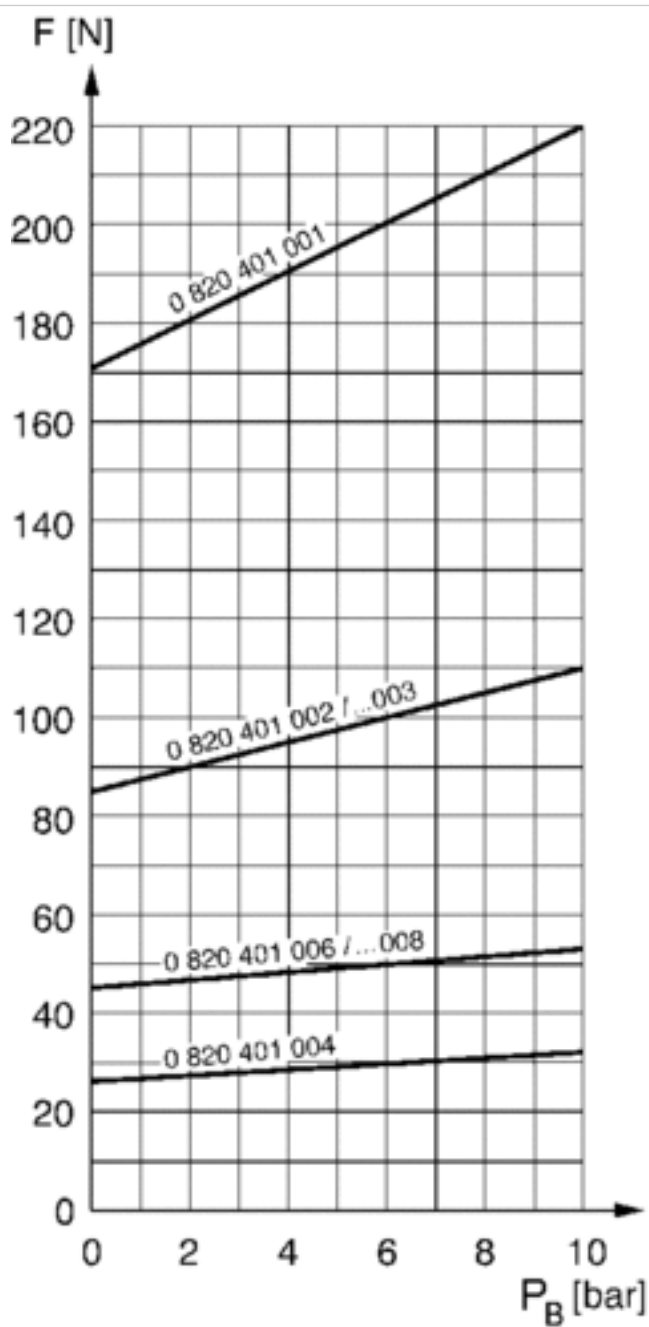
Dimensions, Fig. 6



1) optional protective cover, part number 1828104002

Diagrams

Actuating force+



F = actuating force
 P_B = Working pressure

Efficient pneumatic solutions, our program: cylinders and drives, valves and valve systems, air supply management



Visit us: [Emerson.com/Aventics](https://www.emerson.com/Aventics)

Your local contact: [Emerson.com/contactus](https://www.emerson.com/contactus)



[Emerson.com](https://www.emerson.com)



[Facebook.com/EmersonAutomationSolutions](https://www.facebook.com/EmersonAutomationSolutions)



[LinkedIn.com/company/Emerson-Automation-Solutions](https://www.linkedin.com/company/Emerson-Automation-Solutions)



[Twitter.com/EMR_Automation](https://twitter.com/EMR_Automation)

An example configuration is depicted on the title page. The delivered product may thus vary from that in the illustration. Subject to change. This Document, as well as the data, specifications and other information set forth in it, are the exclusive property of AVENTICS GmbH. It may not be reproduced or given to third parties without its consent. Only use the AVENTICS products shown in industrial applications. Read the product documentation completely and carefully before using the product. Observe the applicable regulations and laws of the respective country. When integrating the product into applications, note the system manufacturer's specifications for safe use of the product. The data specified only serve to describe the product. No statements concerning a certain condition or suitability for a certain application can be derived from our information. The information given does not release the user from the obligation of own judgement and verification. It must be remembered that the products are subject to a natural process of wear and aging.

The Emerson logo is a trademark and service mark of Emerson Electric Co. Brand logotype are registered trademarks of one of the Emerson family of companies. All other marks are the property of their respective owners. © 2020 Emerson Electric Co. All rights reserved.
2020-12



CONSIDER IT SOLVED™